



Kitchen & Bath Products, Inc.

**DLEDL03D
Installation Instructions**

27688 Industrial Blvd., Hayward, CA 94545
Toll-Free: 877-329-6872 • Fax: 510-723-0099
dp@dawnusa.net • www.dawnusa.net

DLEDL03D

LED Back Light Mirror (with IR Sensor)
Matte Aluminum Frame

Available DL Models:

DLEDL03A:

LED Back Light Mirror (IR Sensor)
High Gloss Aluminum Frame
19-11/16" x 1-3/16" x 31-1/2"

DLEDL03B:

LED Back Light Mirror (IR Sensor)
High Gloss Aluminum Frame
23-5/8" x 1-3/16" x 31-1/2"

DLEDL03C:

LED Back Light Mirror (Touch Sensor)
Matte Aluminum Frame
31-1/2" x 1-3/16" x 23-5/8"

DLEDL03D:

LED Back Light Mirror (IR Sensor)
Matte Aluminum Frame
31-1/2" x 1-3/16" x 23-5/8"

DLEDL03AS:

LED Back Light Free Standing Mirror (IR Sensor)
Matte Aluminum Frame
16-1/2" x 1-3/16" x 63"

DLEDL36:

LED Back Light Mirror (IR Sensor)
Matte Aluminum Frame
31-1/2" x 1-3/16" x 23-5/8"

DLEDL5031:

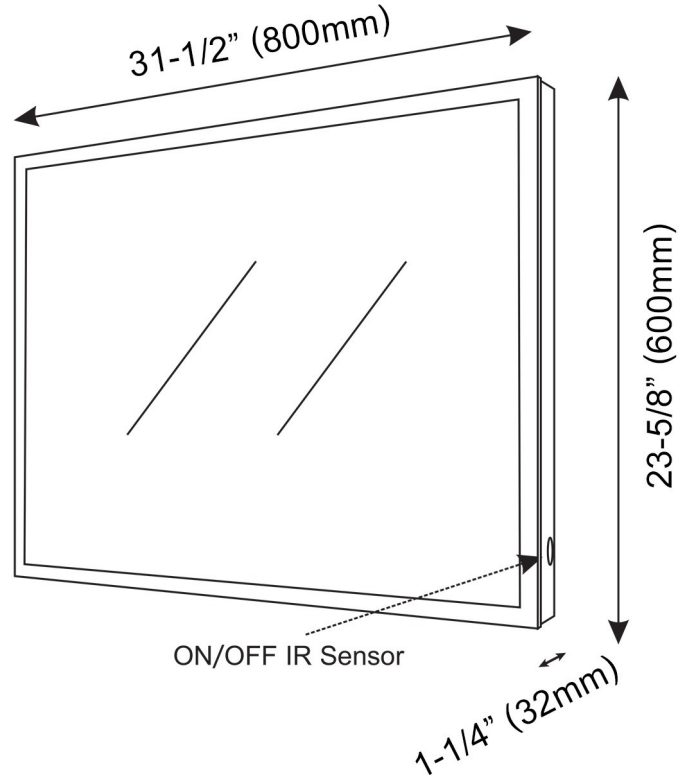
LED Back Light Round Mirror (IR Sensor)
MDF with White Painting Frame
31-1/2" x 1-3/16" x 31-1/2"

DLEDL5023:

LED Back Light Round Mirror (IR Sensor)
MDF with White Painting Frame
23-5/8" x 1-3/16" x 23-5/8"

DLEDL52:

LED Back Light Mirror (Touch Sensor)
Matte Aluminum Frame
39-3/8" x 1-3/16" x 27-9/16"



SUPPLIED HARDWARE



CAUTION: For Household/Residential Use Only
Suitable for Damp Locations

TOOLS REQUIRED



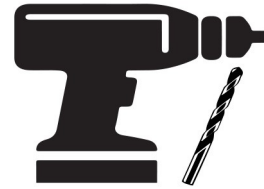
Pencil



Screwdriver



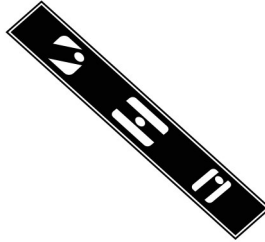
Safety glasses



Drill with drill bit 8mm



Measuring Tape

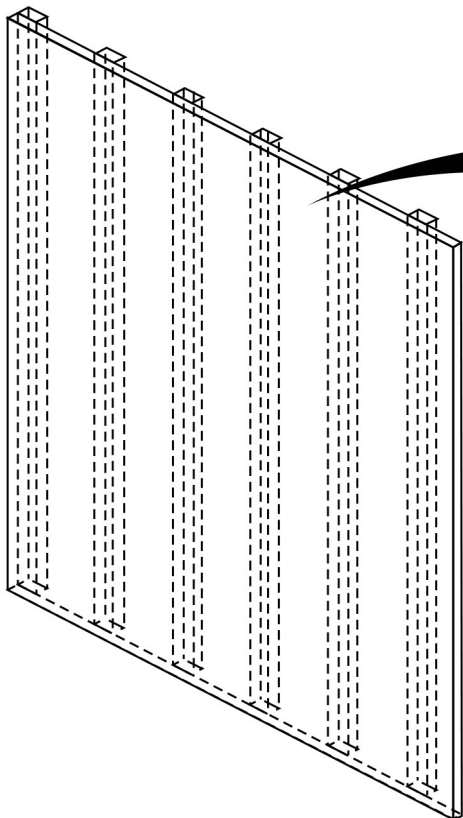


Level



Rubber mallet

INSTALLATION GUIDELINES



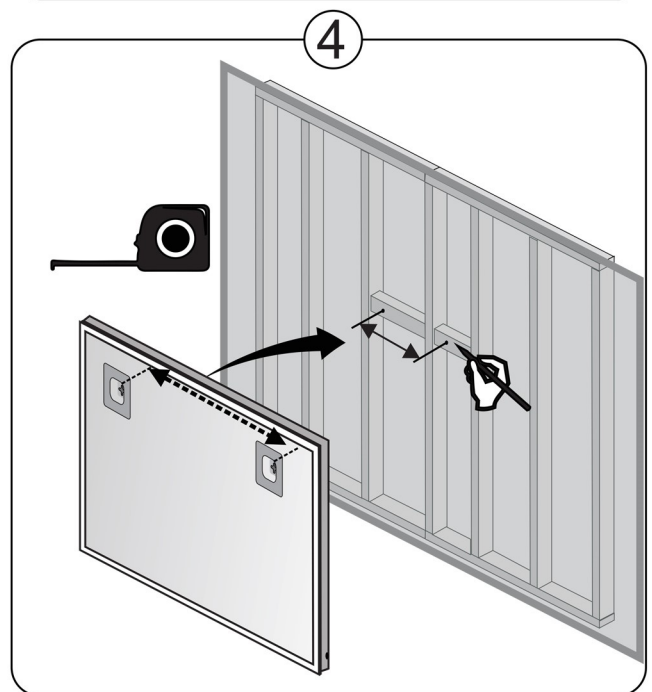
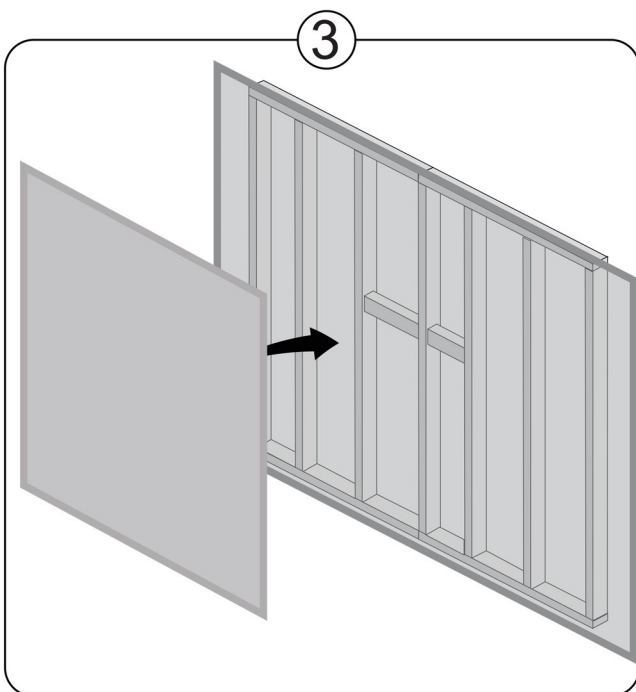
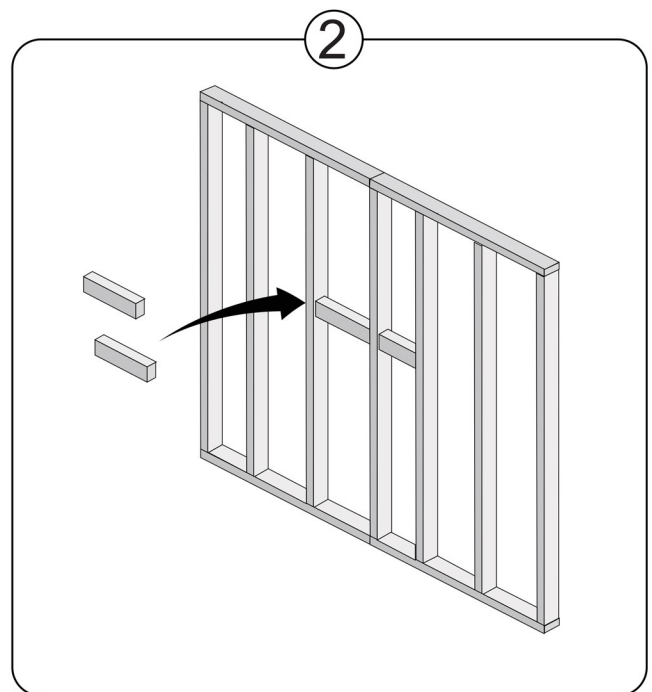
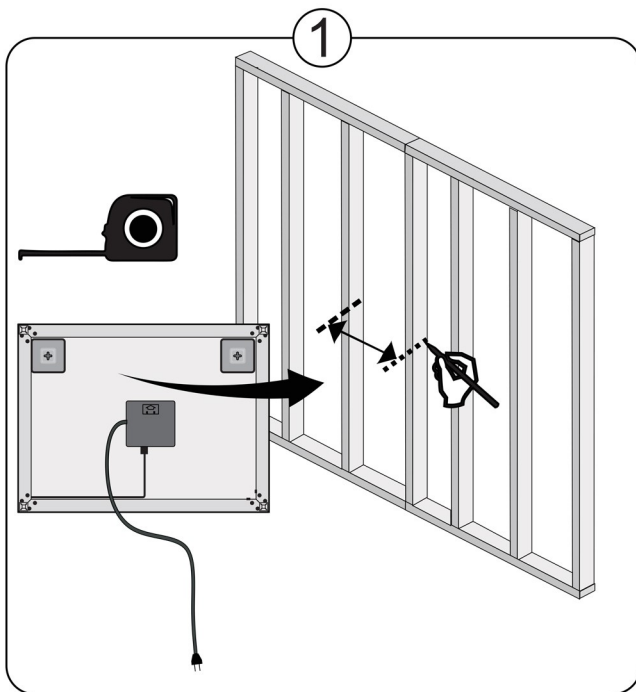
When installing this product, the screws **MUST** reach the wood studs behind the drywall.

It cannot be installed on drywall if the screws and anchors are not secured in the wood studs.

Any other installation method will void the product warranty and can lead to injuries.

INSTALLATION INSTRUCTIONS

- 1-2. Before the drywall is installed, measure the distance between the mounting brackets' eyelet centers. Then measure where the centers of the mounting brackets will be located on the final wall. A solid wood stud should be located at these spots. If no existing studs are present, install extra lateral studs as shown below. Note that studs must be installed in accordance with the local building code and should be installed by a professional.
3. Install the drywall in front of the studs. Note that the drywall must be installed in accordance to the local building code and should be installed by a professional. Thickness of the drywall should be 3/8" (10mm) thick or less.
4. Following the measurements taken previously in step #1, mark the locations of the center of the support brackets on the drywall. It is required that studs be located behind the drywall, where the hanging screws will be drilling.



INSTALLATION INSTRUCTIONS

5. Drill 37mm deep guide holes into the wall using an 8mm drill bit.
6. Using a rubber mallet, insert the provided wall anchors into the guide holes.
- 7-8. Insert the provided screws leaving them protruding out a maximum of 15mm. Make sure that the heads of the screws will fit well into the product's mounting brackets' eyelets.
9. Mount the product onto the screws by fitting the screw heads into the mounting brackets' eyelets. Make sure the product is well secured.
10. Plug the product in the wall socket.

WARNING: Provided hardware must be used for the installation of this product!

